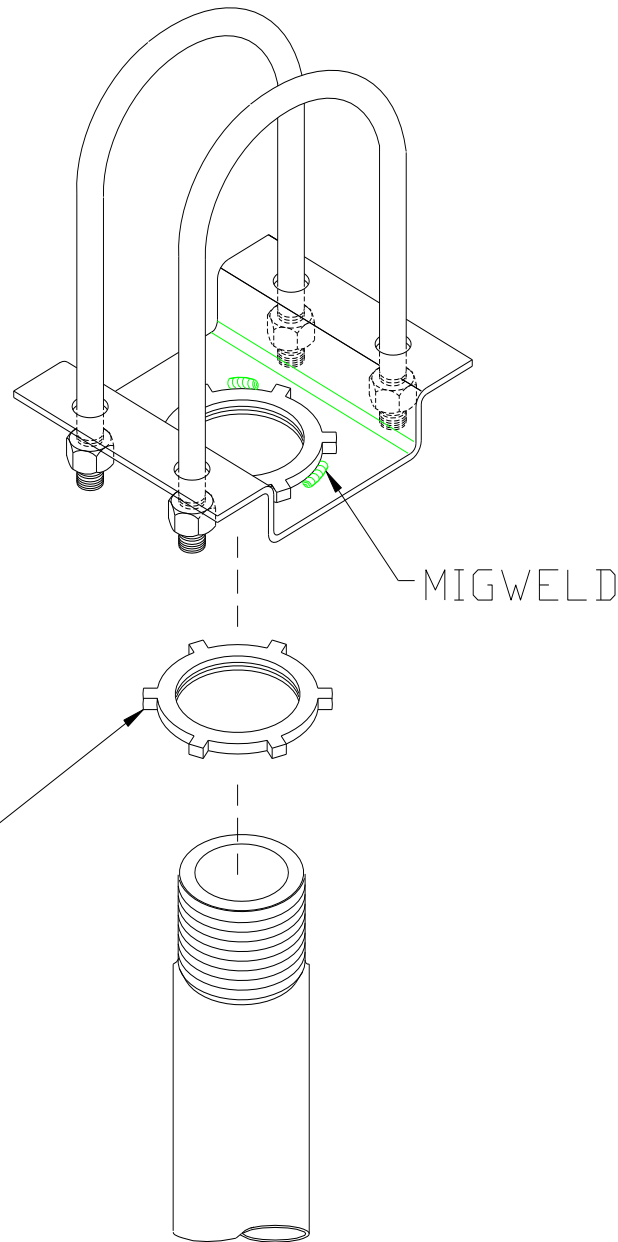


NOTE:

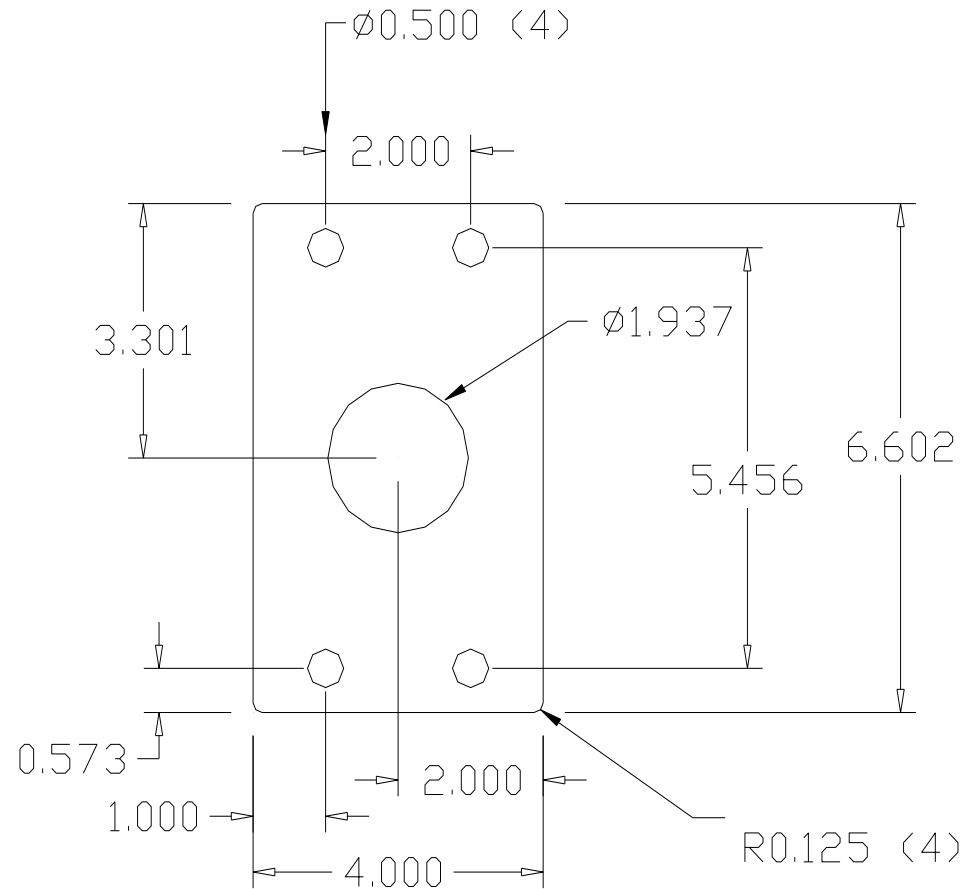
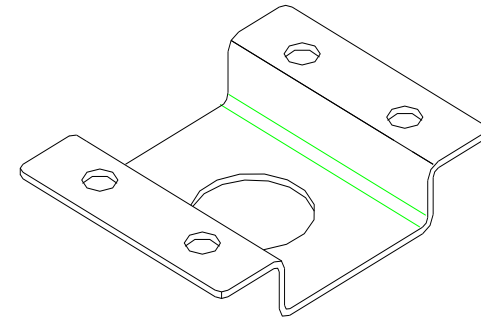
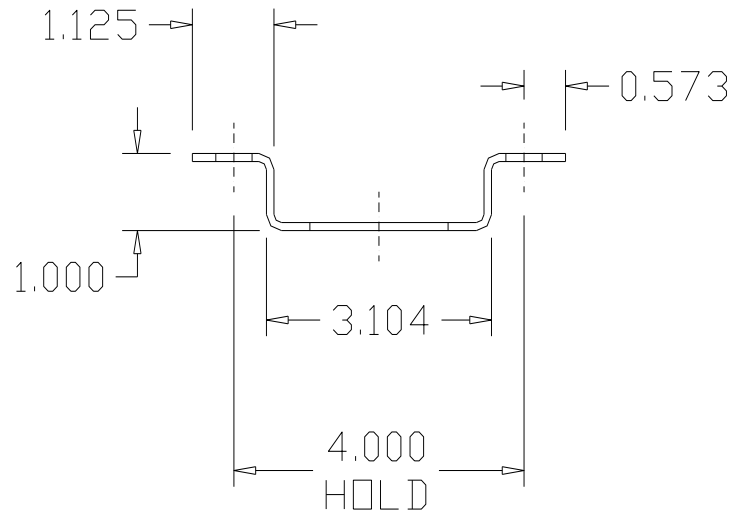
U – BOLTS & NUTS  
FOR ILLUSTRATION ONLY  
NOT SUPPLIED BY CBM.



1-1/2" NPT LOCK NUT (2)

NO.	DATE	DESCRIPTION	ECN
REVISIONS			
THIS DRAWING AND THE INFORMATION HEREON ARE THE SOLE PROPERTY OF CBM METAL, AND ARE TO BE HELD IN STRICT CONFIDENCE FOR THE PRODUCTION OF CBM PRODUCTS. DUPLICATION, DISCLOSURE OR USE FOR ANY OTHER PURPOSE WITHOUT THE EXPRESSED WRITTEN AUTHORIZATION OF CBM METAL IS STRICTLY PROHIBITED.		ALL DIMENSIONS IN INCHES	SCALE: NTS
		TOLERANCES (UNLESS OTHERWISE SPECIFIED)	
		FORMING: ±.016	STAMPING: ±.010
		BLANKING: ±.016	ANGULAR: ±1°
CBM METAL 1832 BONDHILL RD. MISSISSAUGA, ON L5T 1C4 www.cbmmetal.com		CBM METAL USA 4500 WITMER INDUSTRIAL ESTATES, #172 NIAGARA FALLS, N.Y. 14305-1386USA	
		LCD PROJECTOR CEILING MOUNT ASSEMBLY	
		DWG No. EWR2005026	PRODUCT No. LCD
		DWG BY: D.R.	DATE: 05/04/12
		CHECK BY:	DATE:
		APPR'D BY:	DATE:

BLANK SIZE : 4.000 x 6.602 x 12 GA CRS



NO.	DATE	DESCRIPTION	ECN
-----	------	-------------	-----

REVISIONS

THIS DRAWING AND THE INFORMATION HEREON ARE THE SOLE PROPERTY OF CBM METAL, AND ARE TO BE HELD IN STRICT CONFIDENCE FOR THE PRODUCTION OF CBM PRODUCTS. DUPLICATION, DISCLOSURE OR USE FOR ANY OTHER PURPOSE WITHOUT THE EXPRESSED WRITTEN AUTHORIZATION OF CBM METAL IS STRICTLY PROHIBITED.

ALL DIMENSIONS IN INCHES	SCALE: NTS
TOLERANCES (UNLESS OTHERWISE SPECIFIED)	
FORMING: ±.016	STAMPING: ±.010
BLANKING: ±.016	ANGULAR: ±1°

CBM METAL  
1832 BONHILL RD.  
MISSISSAUGA, ON  
L5T 1C4  
www.cbmmetal.com



DESIGN DRIVEN MANUFACTURING  
SINCE 1927

CBM METAL USA  
4500 WITMER INDUSTRIAL ESTATES, #172  
NIAGARA FALLS, N.Y.  
14305-1386USA

CEILING BRACKET  
LCD PROJECTOR CEILING MOUNT

DWG No. EWR 2005026

PRODUCT No.

DWG BY: D.R.	DATE: 05/04/12
CHECK BY:	DATE:
APPR'D BY:	DATE: