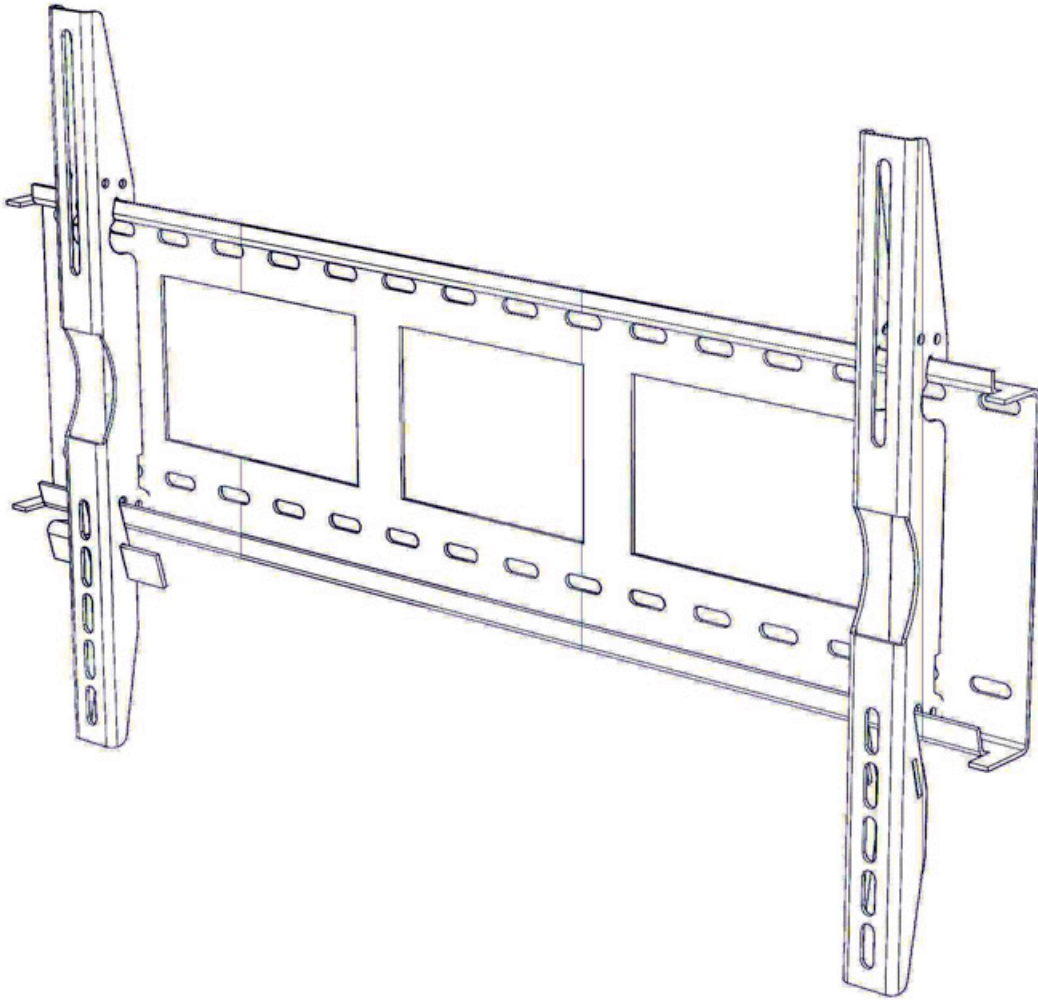


CBM

Metal Supporting Technology

INSTALLATION & ASSEMBLY GUIDE



Universal Flat-Panel Wall Mount

UPM-30FB

Congratulations on your purchase of a new CBM Flat Panel Wall mount. Our Wall mounts are designed to secure your plasma or LCD screen to the wall in both home and commercial settings. Each bracket is designed to support specific sizes of screen and the maximum weight specified in this manual should not be exceeded



WARNING

- Failure to read and understand all the instructions provided in this manual can result in serious damage to electronics and/or serious bodily injury.
- Only a qualified contractor should install this product. Do not attempt to install this product until you have read and understand the instructions in this manual. If you have any questions regarding the instructions or any other information provided in this manual, please do not hesitate to contact customer service at 1-800-387-4834.
- Make sure the supporting structure will safely hold the combined weight of all components including the bracket and screen. Never exceed the maximum weight specified in this manual.
- CBM Ltd. does not take any responsibility for incorrect assembly, incorrect mounting, or misuse of this product which results in damage to electronics or injury.

CBM Ltd.

8750 Holgate Crescent
High Point Business Park
Milton, ON
L9T 0K3

Local Phone: 905-878-0648
Toll Free Phone: 1-800-387-4834
Email: sales@cbmmetal.com

Fax: 1-888-554-5501
Web: www.cbmmetal.com

TABLE OF CONTENTS

FEATURES & SPECIFICATIONS	3
REQUIRED TOOLS	3
PARTS LIST	4
MOUNTING HARDWARE	5
INSTRUCTIONS	6

FEATURES & SPECIFICATIONS

Features

- Flush Mount bracket with 10 degree tilt adapter
- Fits most 30 to 65 inch flat panel televisions
- Padlock anti-theft security latch (lock not included)
- All wall mounting hardware included

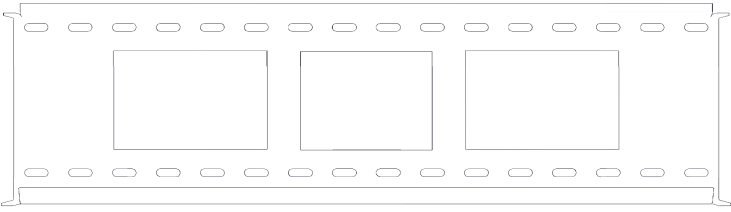
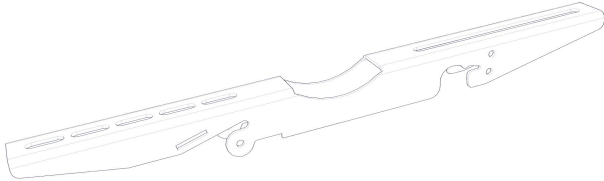

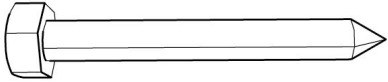
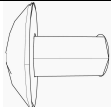
Specifications

- Recommended maximum weight: 185 lbs
- Size(In): 32.5”L x 9.75”W x 5”D
- Size(mm): 317.5L x 234.95W x 63.5D
- Weight: 22 lbs / 10 kg

REQUIRED TOOLS



PARTS LIST

ID	PART	DESCRIPTION	QTY
A		Mount Panel	1
B		Mount Arms	2
C		Lock	2
F		Hex Lag Screw	6
G		Truss Head Screw	10

MOUNTING HARDWARE



	DESCRIPTION	QUANTITY		DESCRIPTION	QUANTITY
H1	CONCRETE ANCHORS	6	H8	M6-M8 WASHERS	6
H2	LAG BOLTS	6	H9	M8 SPACERS	4
H3	M6 X 30	4	H10	M4-M5 SPACERS	4
H4	M5	4	H11	M6 SPACERS	4
H5	M4	4	H12	M4-M5 WASHERS	12
H6	M8 X 60	4	H13	LOCK WASHERS	16
H7	M8 X 40	4			

INSTRUCTIONS

This wall mount can be installed on the following surfaces:

- **Wood Stud**
- **Brick**
- **Solid Concrete**
- **Concrete Block**

Please use of one of the following steps to mount the plate to the wall.

***If you have purchased a Ceiling Adapter there will be additional hardware supplied with that model to bolt the wall plate in place.*

STEP 1 (WOOD STUD MOUNTING)

***CBM recommends that the wall plate be mounted across three wood studs at minimum 12 inches apart. For optimum position use an accurate stud finder to locate the studs*

Locate studs, drill two 2.5" deep holes at the desired height in each stud using the 3/16 drill bit. Ensure the holes are centered on the studs and level with each other. Using the wall plate as a template mark the wall for the lower two holes and drill holes as specified above. Use the lag bolts and lag bolt washers to secure the wall plate to the wall. Do not over tighten the lag bolts.

STEP 1 (BRICK, SOLID CONCRETE & CONCRETE BLOCK MOUNTING)

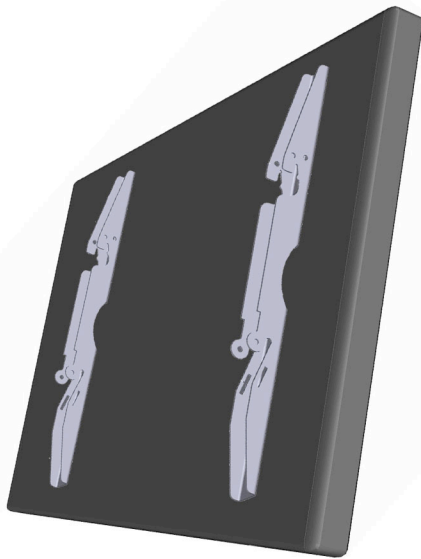
***CBM recommends that the wall plate be mounted at six locations in concrete.*

Use the wall plate as a template and mark the hole locations. Three in the top row and three in the bottom row ensuring that there is at least 6" between the holes. Pre-drill the holes with a 1/2" masonry bit to 2.5" in depth. Insert the concrete anchor into all holes. Ensure the anchors are flush to the wall prior to mounting the wall plate with the six lag bolts. Do not over tighten the lag bolts

STEP 2

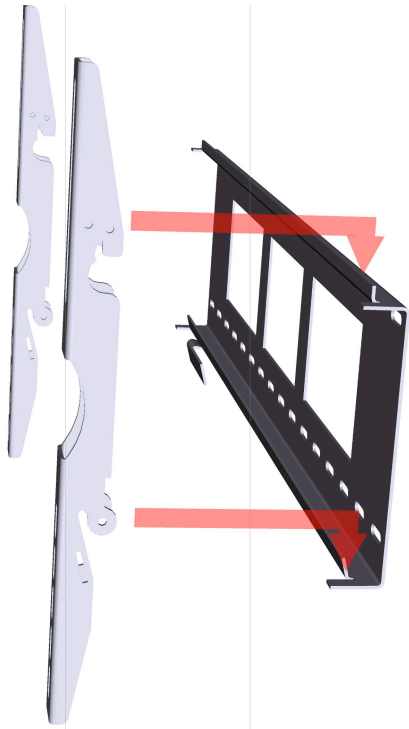
Locate the mounting holes on the back of the flat panel television. Different TV's will have different locations for mounting. Determine which hardware is used with your flat panel M4, M5, M6 or M8 bolts. A ½" plastic spacer is provided for use with M4 and M5 TV mount bolts and a ¾" plastic spacer(s) is provided for use with the M6 and M8 TV mount bolts. When mounting a television with a flat back you may not need the plastic spacers.

STEP 3



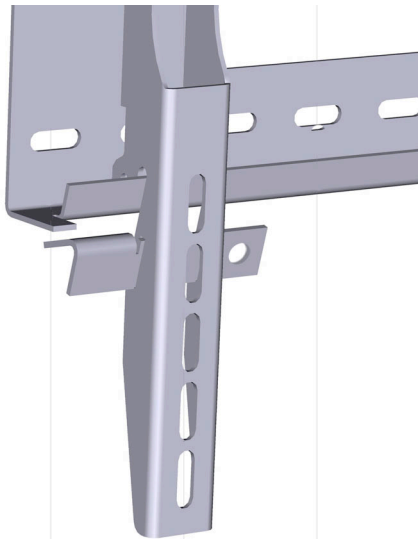
Using the left and right flat panel mounting rails and appropriate washers, bolt the rails to the flat panel. In the case that your TV has shallow threaded inserts there are extra M4 and M5 washers that should be added if you find the bolts are too long. Ensure that the bolts are tight.

STEP 4



Position your flat panel facing away from the wall plate. Lift up the flat panel and swing the bottom rounded portion of the rails above the slot at the bottom of the wall plate. As the rails are slightly above the slot, swing the top hooks into place hooking over the top flange of the wall plate. Place flat panel on the plate and release.

STEP 5



To prevent sideways sliding tighten both bolts against the top inside portion of the wall plate flange. Your flat panel is now in position.